

MİMARİ KATALOG

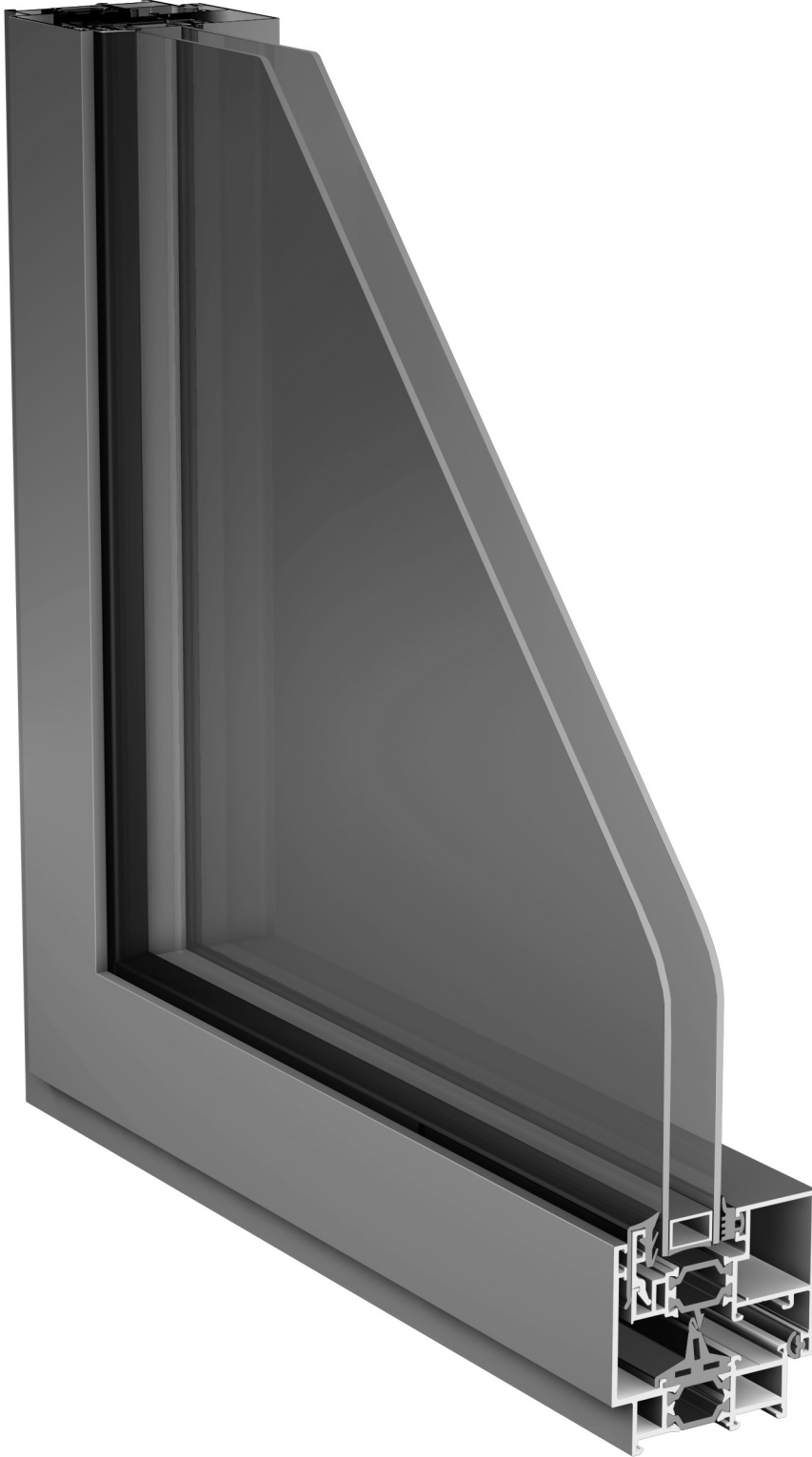
ARCHITECTURAL CATALOGUE

Aluminyum Kapı Pencere ve Giydirme Cephe Sistemleri
Aluminium Window Doors and Facade Systems



Rescara Sistem
Profil Detayları

Rescara System
Profile Details



RWWT 67

RESCARA SİSTEM

RESCARA SYSTEM

Aluminyum Kapı Pencere ve Giydirme Cephe Sistemleri
Aluminium Window Doors and Facade Systems

01



02

03

04

05

06

07

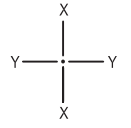
08

09

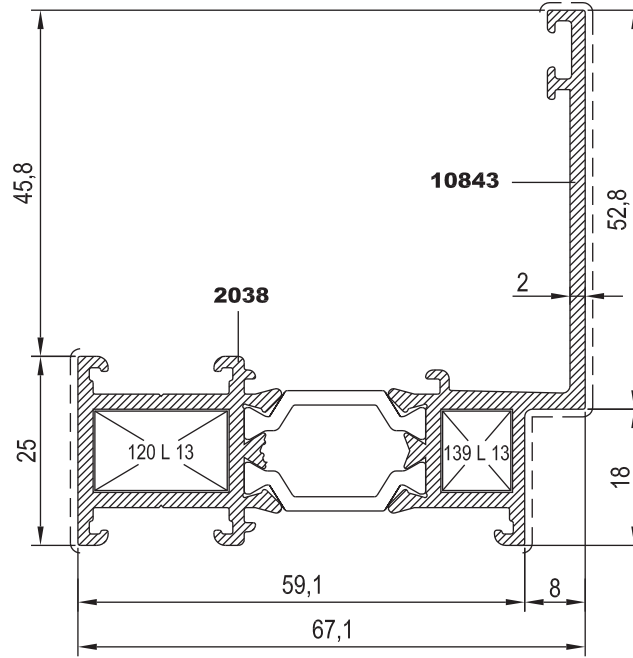
10



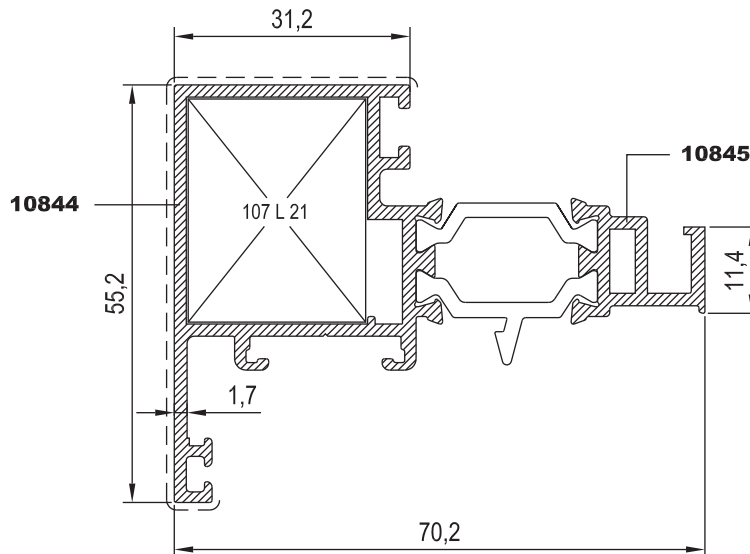
KOD / CODE	AĞIRLIK (kg/m) / WEIGHT	Jxx cm ⁴	Jyy cm ⁴	L m
T67 F 01	1,458	20,715	14,645	6
T67 V 01	1,312	16,052	7,780	6



T67 F 01



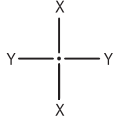
T67 V 01



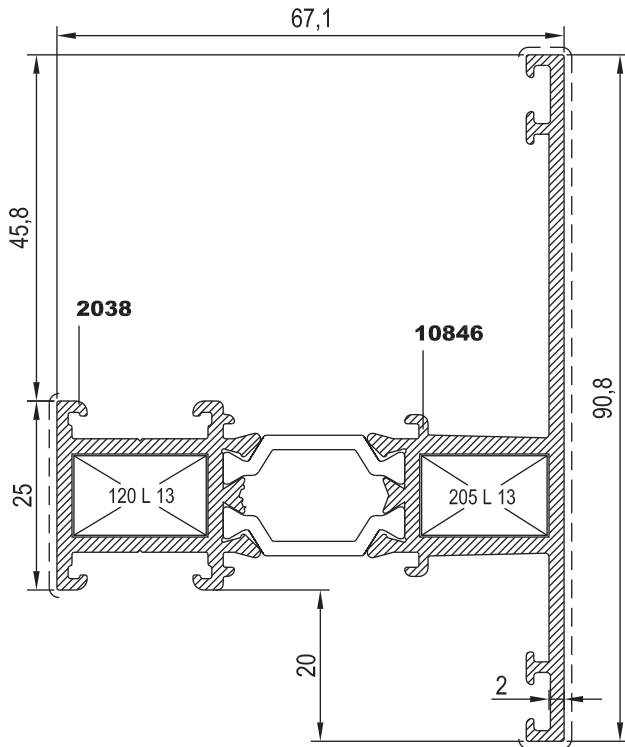
Nr	L m	KESİM ÖLÇÜSÜ CUTTING SIZE	AKS. KODU ACS. CODE
T67 F 01	2038	25 L 13(2058)	120 L 13
	10843	25 L 13(2058)	139 L 13
T67 V 01	10844	25 L 21(2167)	107 L 21
	10845	---	---



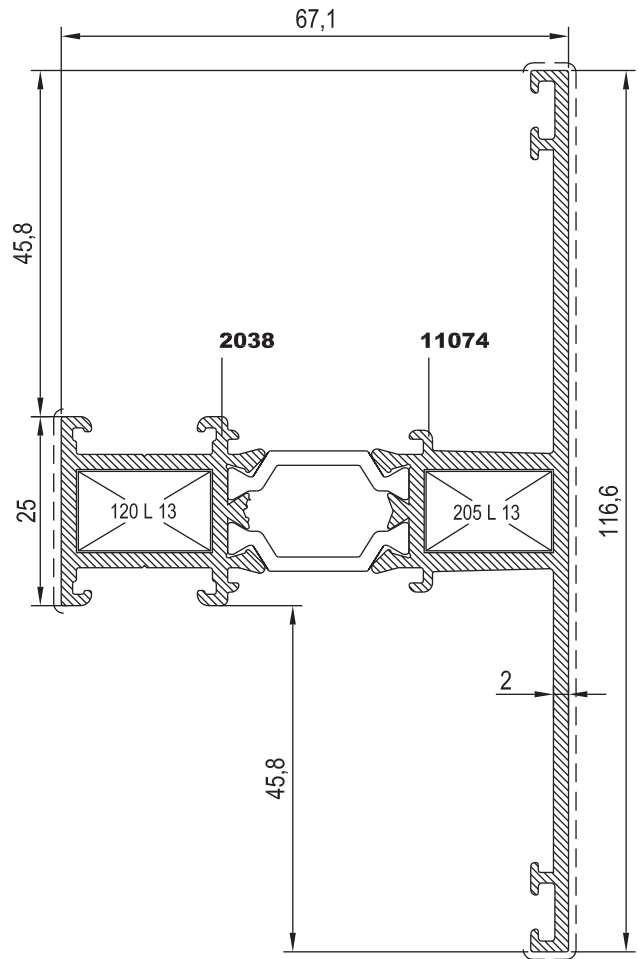
KOD / CODE	AĞIRLIK (kg/m) / WEIGHT	Jxx cm ⁴	Jyy cm ⁴	L m
T67 M 01	1,675	24,782	19,833	6
T67 M 02	1,890	26,807	34,262	6



T67 M 01



T67 M 02



Nr



L m

KESİM ÖLÇÜSÜ
CUTTING SIZEAKS. KODU
ACS. CODE

T67 M 01	10846	25 J 03(10566)	10,5 mm	102 J 03
	2038	25 J 04(10567)	10,5 mm	102 J 04
T67 M 02	11074	25 J 03(10566)	10,5 mm	102 J 03
	2038	25 J 04(10567)	10,5 mm	102 J 04

Nr



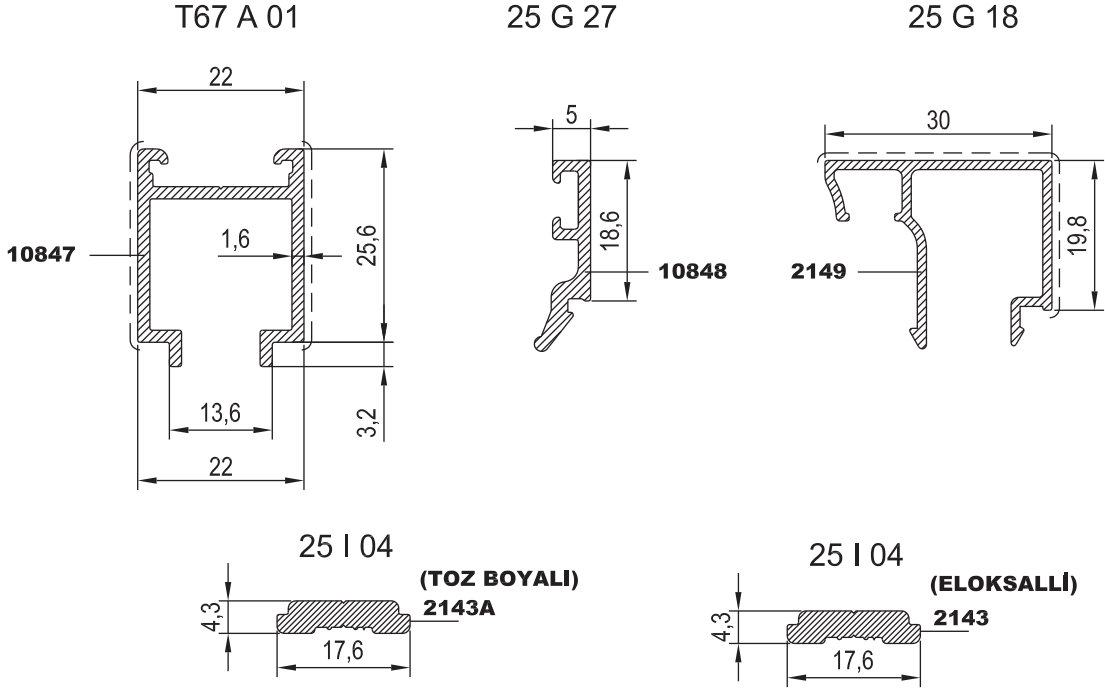
L m

KESİM ÖLÇÜSÜ
CUTTING SIZEAKS. KODU
ACS. CODE

T67 M 01	2038	25 L 13(2058)	17,7 mm	120 L 13
	10846	25 L 13(2058)	16,8 mm	205 L 13
T67 M 02	2038	25 L 13(2058)	17,7 mm	120 L 13
	11074	25 L 13(2058)	16,8 mm	205 L 13



KOD / CODE	AĞIRLIK (kg/m) / WEIGHT	L m	
T67 A 01	0,401	6	
25 G 27	0,180	6	
25 G 18	0,300	6	
25 I 04	0,172	6	



TAKOZLAR (CLEATS)

PROFİL KODU (PROFILE CODE)	25 L 13	25 L 21	25 J 03	25 J 04
FABRİKA KODU (FACTORY CODE)	2058	2167	10566	10567
AĞIRLIK (WEIGHT)	3,546 kg/m	9,691 kg/m	0,664 kg/m	0,669 kg/m
ÇİZİM (DRAWING)				

KÖŞE TAKOZLARI (CORNER CLEATS)

Nr		L m	KESİM ÖLÇÜSÜ CUTTING SIZE	AKS. KODU ACS. CODE
T67 F 01	2038	25 L 13(2058)	17,7 mm	120 L 13
	10843	25 L 13(2058)	8,9 mm	139 L 13
T67 V 01	10844	25 L 21(2167)	23,2 mm	107 L 21
	10845	---	---	---
T67 M 01	2038	25 L 13(2058)	17,7 mm	120 L 13
	10846	25 L 13(2058)	16,8 mm	205 L 13
T67 M 02	2038	25 L 13(2058)	17,7 mm	120 L 13
	11074	25 L 13(2058)	16,8 mm	205 L 13

ORTA KAYIT BAĞLANTI (MULLION CONNECTION PIECE)

Nr		L m	KESİM ÖLÇÜSÜ CUTTING SIZE	AKS. KODU ACS. CODE
T67 M 01	10846	25 J 03(10566)	10,5 mm	102 J 03
	2038	25 J 04(10567)	10,5 mm	102 J 04
T67 M 02	11074	25 J 03(10566)	10,5 mm	102 J 03
	2038	25 J 04(10567)	10,5 mm	102 J 04



01

02

03

04

05

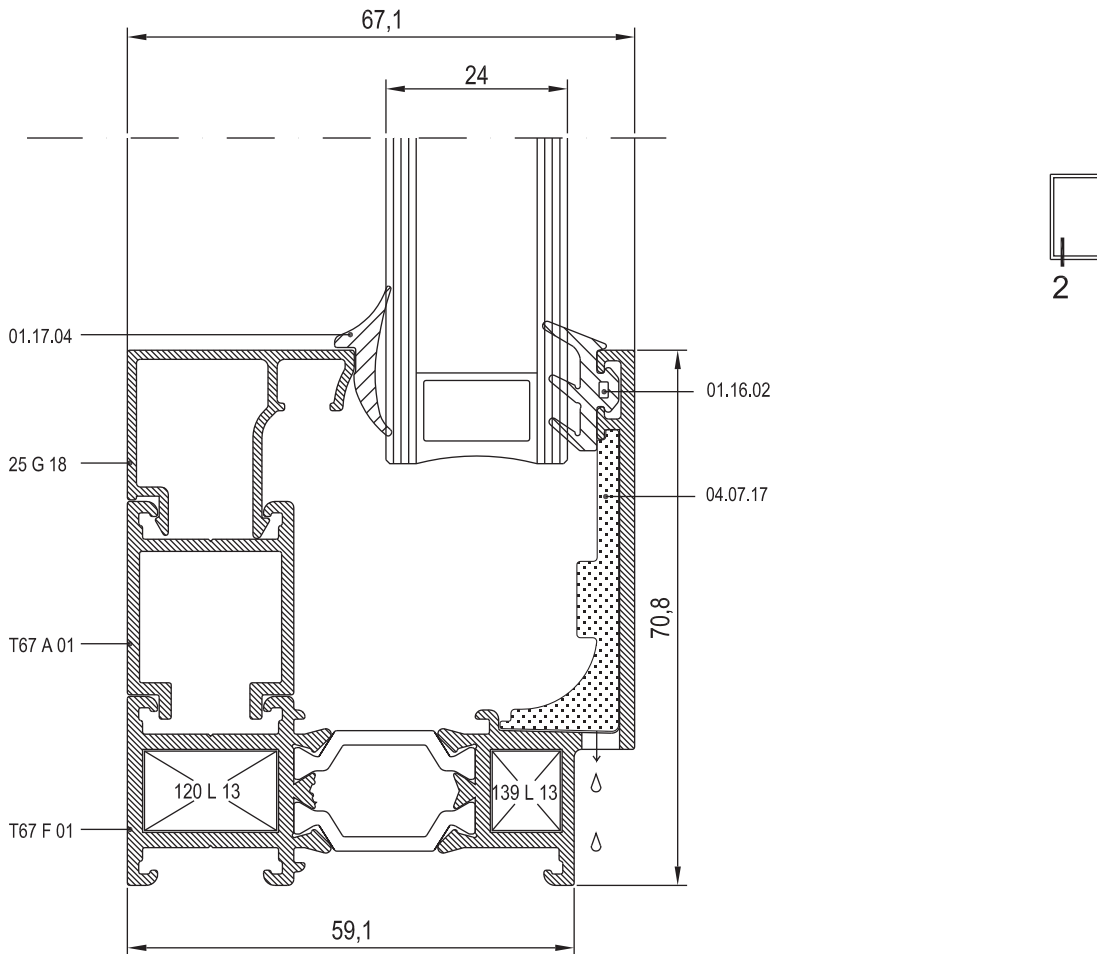
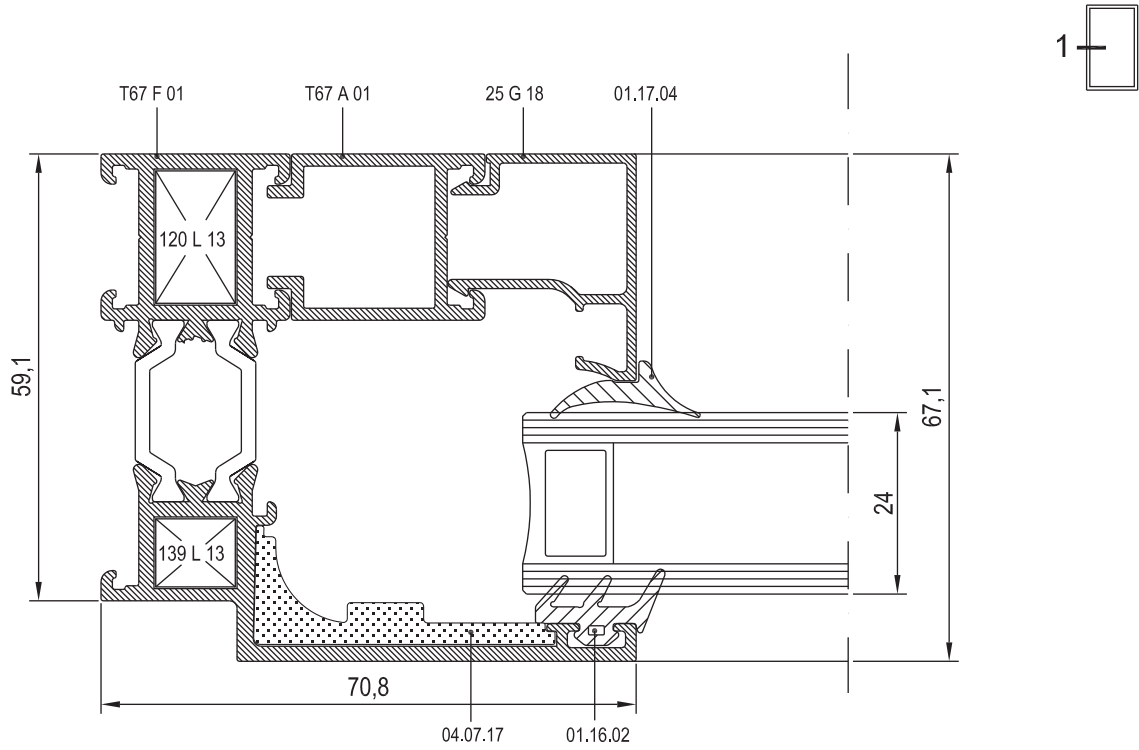
06

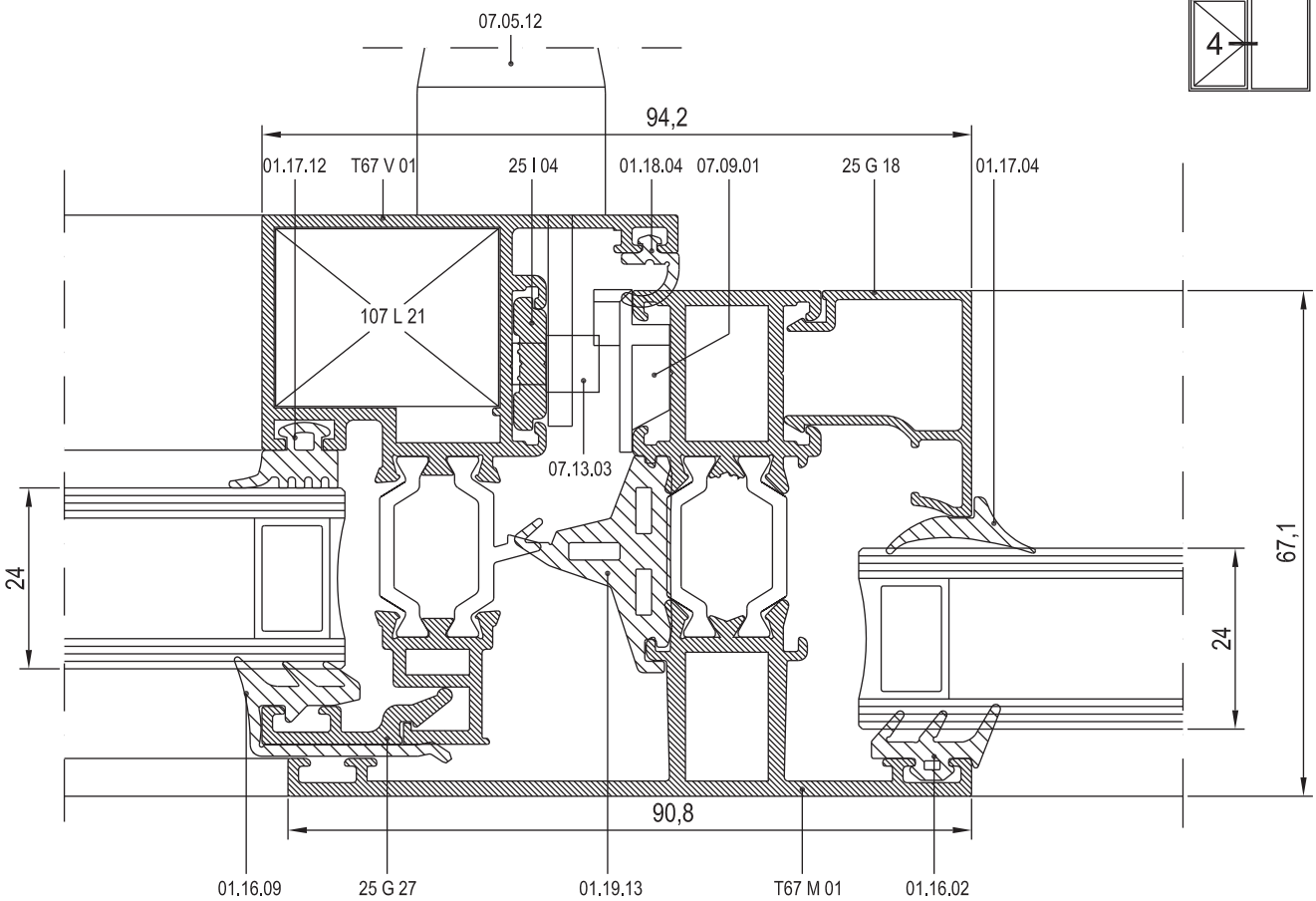
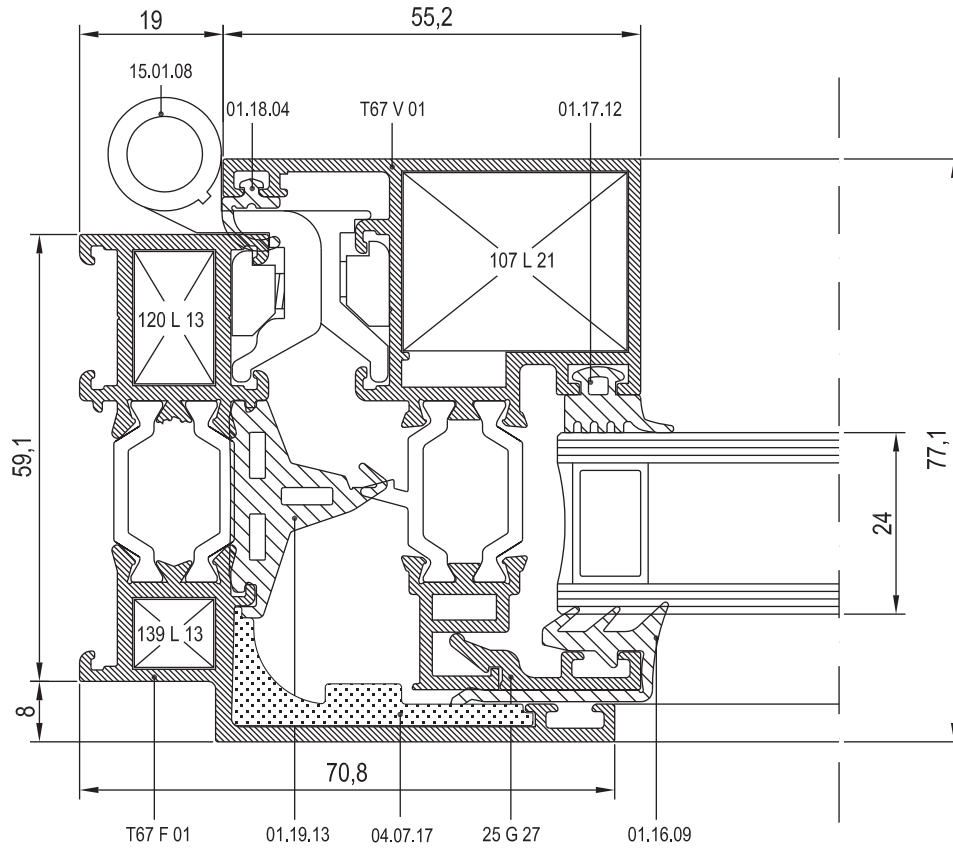
07

08

09

10





01

02

03

04

05

06

07

08

09

10



01

02

03

04

05

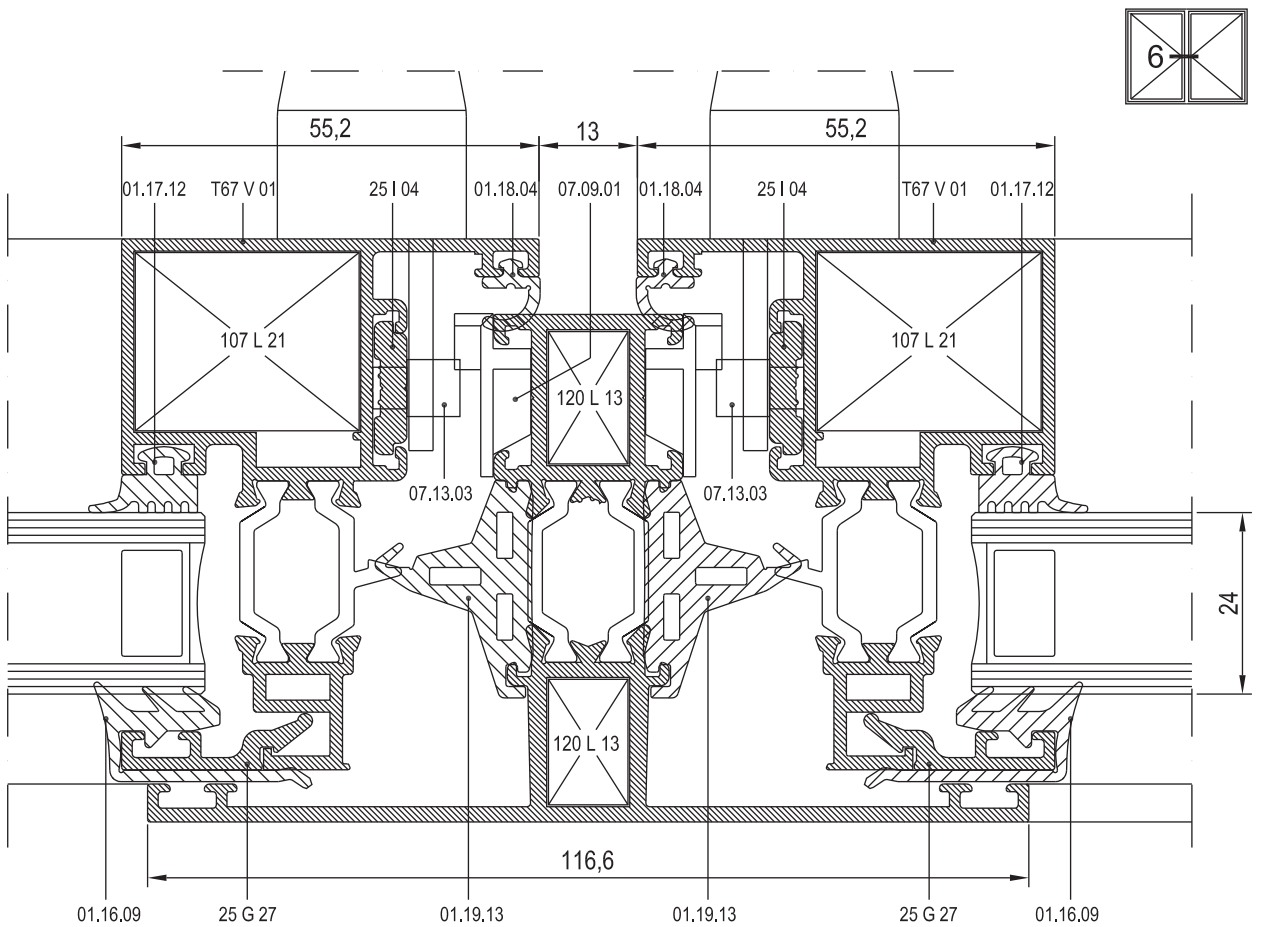
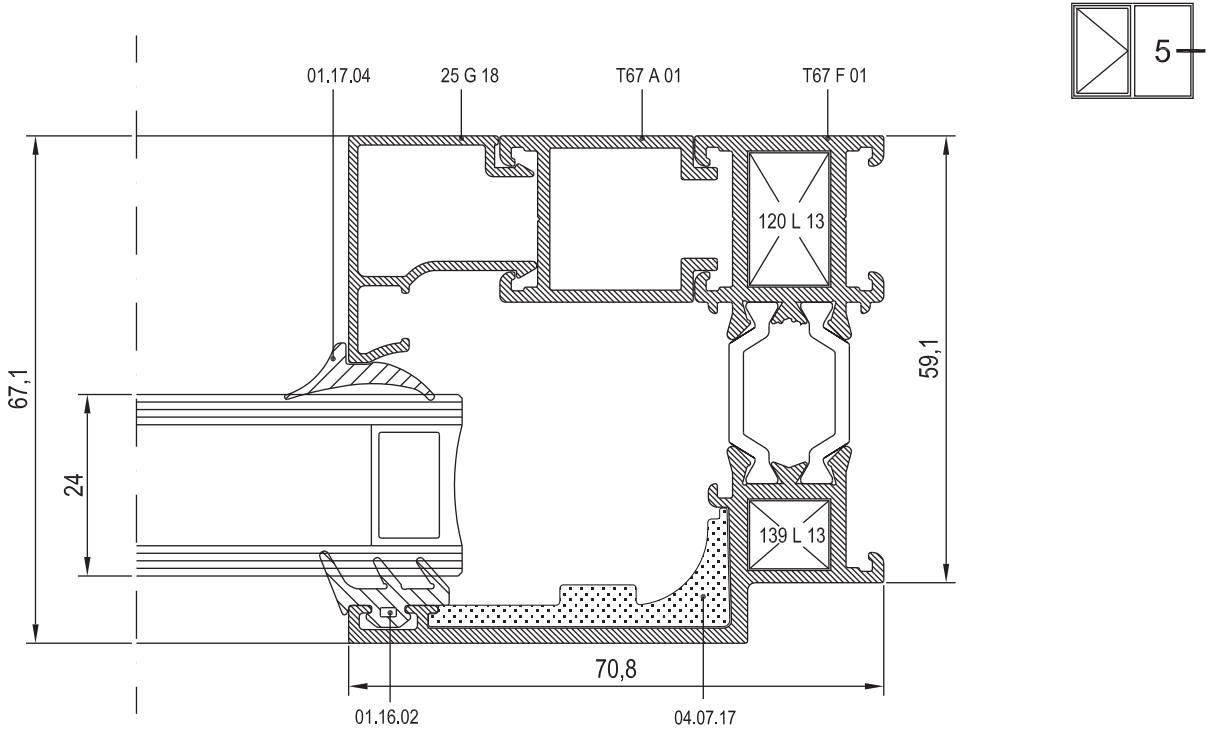
06

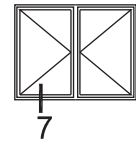
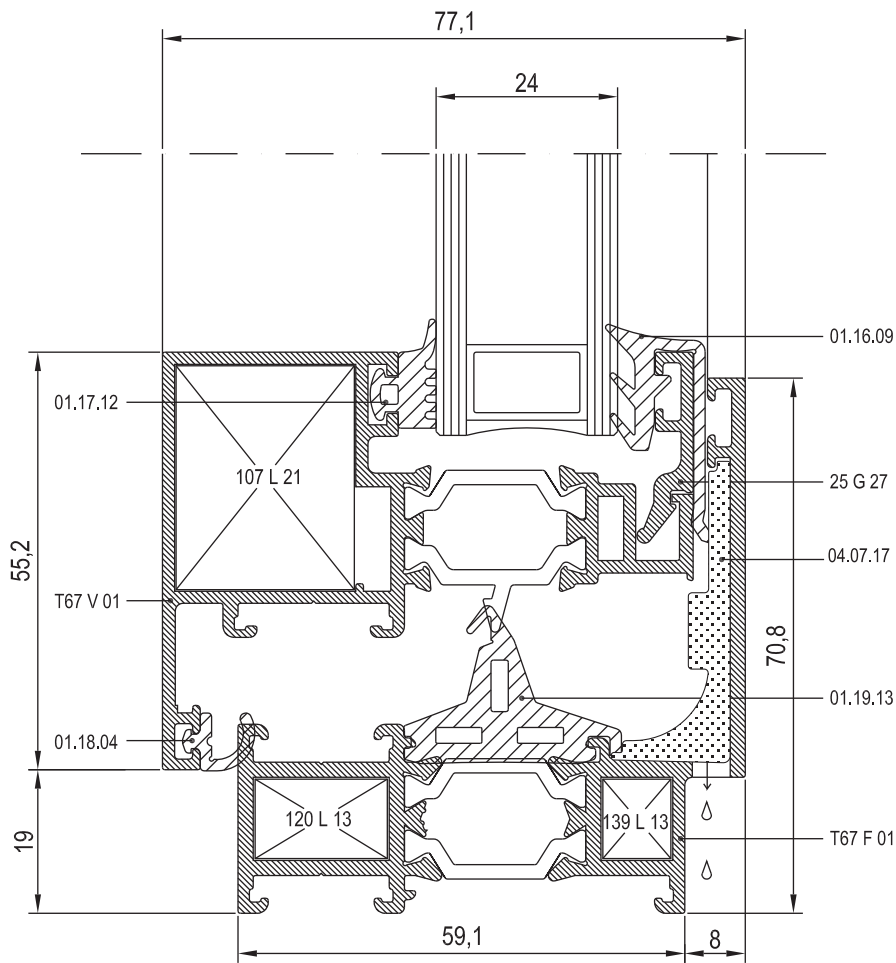
07

08

09

10





01

02

03

04

05

06

07

08

09

10

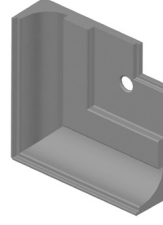
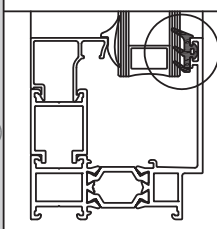


01



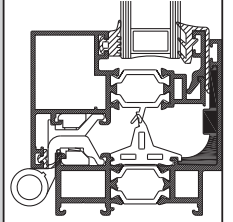
01.16.02

DIŞ CAM FİTİLİ
GLAZING GASKET (OUTSIDE)
EPDM
90 gr/m



04.07.17

KÖŞE ÇAVUŞU
CORNER CLEATS



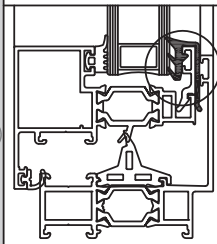
02

03



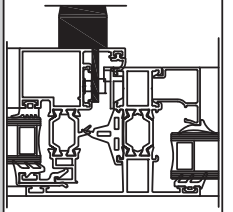
01.16.09

DIŞ CAM FİTİLİ
GLAZING GASKET (OUTSIDE)
EPDM
143 gr/m



07.05.12

İSPANYOLET KOL ÇİFT DİLLİ
WINDOW HANDLE
SİYAH-BEYAZ-GRİ
BLACK-WHITE-GREY

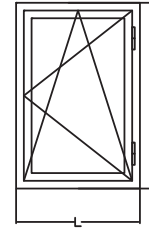
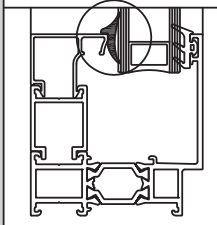


04



01.17.04

İÇ CAM FİTİLİ
GLAZING GASKET (INSIDE)
EPDM
55 gr/m



07.06.60.

ÇİFT AÇILIM MEKANİZMASI
TILT AND TURN MECANISM
SİYAH-GRİ
BLACK-GREY

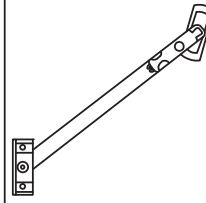
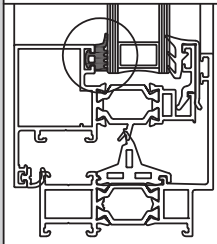
GENİŞLİK: 570~1000 mm
WIDTH: 570~1000 mm
YÜKSEKLİK: 400~1200 mm
HEIGHT: 400~1200 mm

05



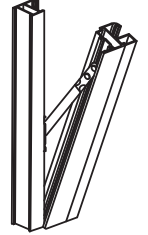
01.17.12

İÇ CAM FİTİLİ
GLAZING GASKET (INSIDE)
EPDM
107 gr/m



07.07.02

VASİSTAS MAKAS
VASİSTAS ACCESSORY
SİYAH-BEYAZ-GRİ
BLACK-WHITE-GREY

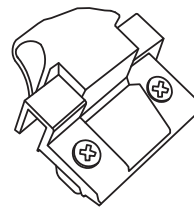
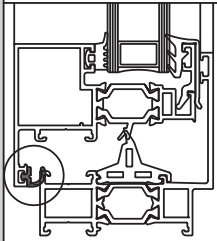


06



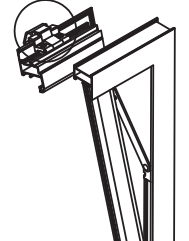
01.18.04

İÇ BİNİ FİTİLİ
ACOUSTICAL GASKET
EPDM
41 gr/m



07.08.01

VASİSTAS MANDALI
VASİSTAS SPRING
SİYAH-BEYAZ
BLACK-WHITE

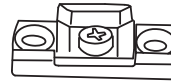
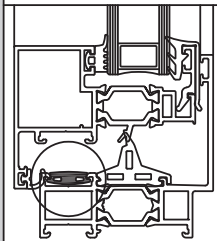


07



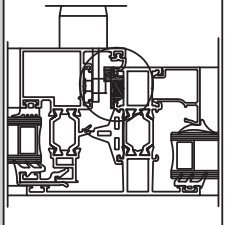
01.19.06

ÇİTA KANAL FİTİLİ
ADAPTER GASKET
EPDM
71 gr/m



07.09.01

AYARLI PİM KARŞILIĞI
LOCK PLATE



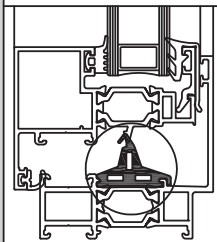
08

09



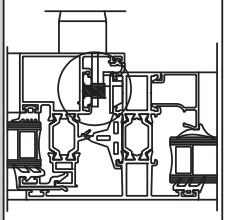
01.19.13

TOZLUK FİTİLİ
CENTRAL GASKET
EPDM
224 gr/m



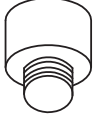
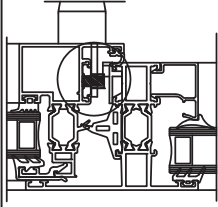
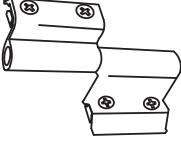
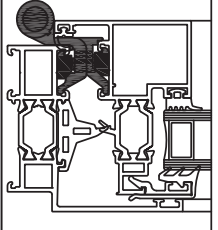
07.13.02

ORTA GÖBEK PİMİ
CENTRAL LOCK PIN



10



	<p>07.13.03 TIJ PİM LOCK PIN</p>				
	<p>15.01.08 PENCERE MENTEŞESİ WINDOW HINGE SİYAH-BEYAZ-GRİ-ELOKSAL BLACK-WHITE-GREY-ANODISED</p>				

01

02

03

04

05

06

07

08

09

10

RESCARA SİSTEM

RESCARA SYSTEM

Aluminyum Kapı Pencere ve Giydirmce Cephe Sistemleri
Aluminium Window Doors and Facade Systems

01



02

03

04

05

06

07

08

09

10