

# MİMARİ KATALOG

## ARCHITECTURAL CATALOGUE

Aluminyum Kapı Pencere ve Giydirme Cephe Sistemleri  
Aluminium Window Doors and Facade Systems



Rescara Sistem  
Profil Detayları

Rescara System  
Profile Details



# Rd55

# RESCARA SİSTEM

## RESCARA SYSTEM

Aluminyum Kapı Pencere ve Giydirme Cephe Sistemleri  
Aluminium Window Doors and Facade Systems

11



12

13

14

15

16

17

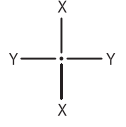
18

19

20



KOD / CODE	AĞIRLIK (kg/m) / WEIGHT	Jxx cm <sup>4</sup>	Jyy cm <sup>4</sup>	L m
Rd55 F 01	1,373	25,243	38,509	6
Rd55 F 02	1,500	25,765	48,453	6



11

12

13

14

15

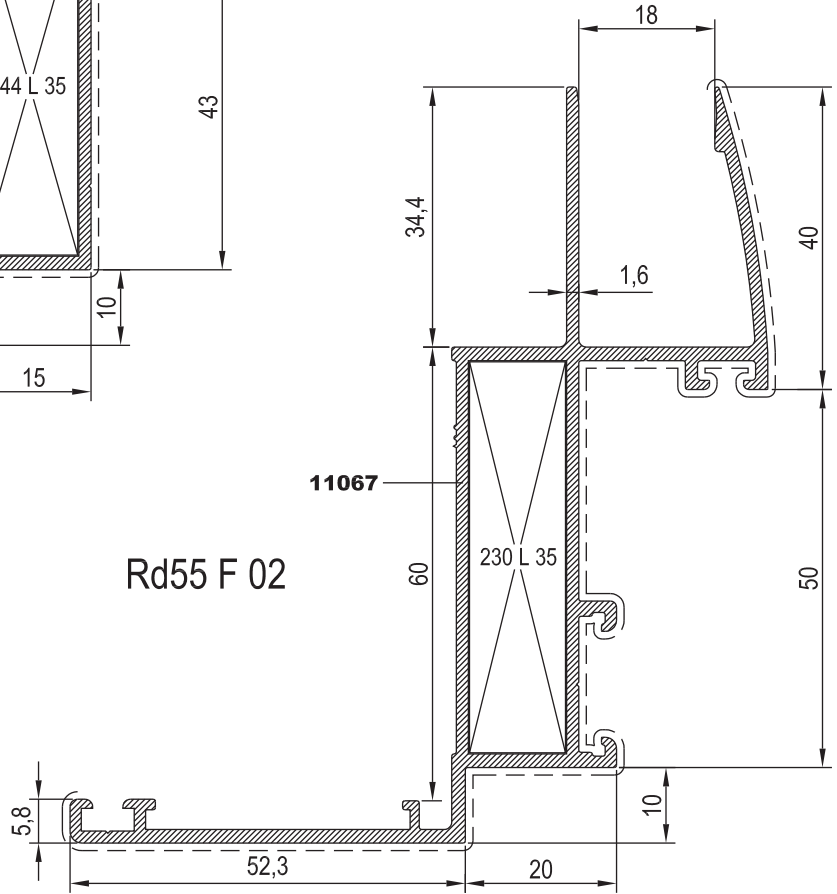
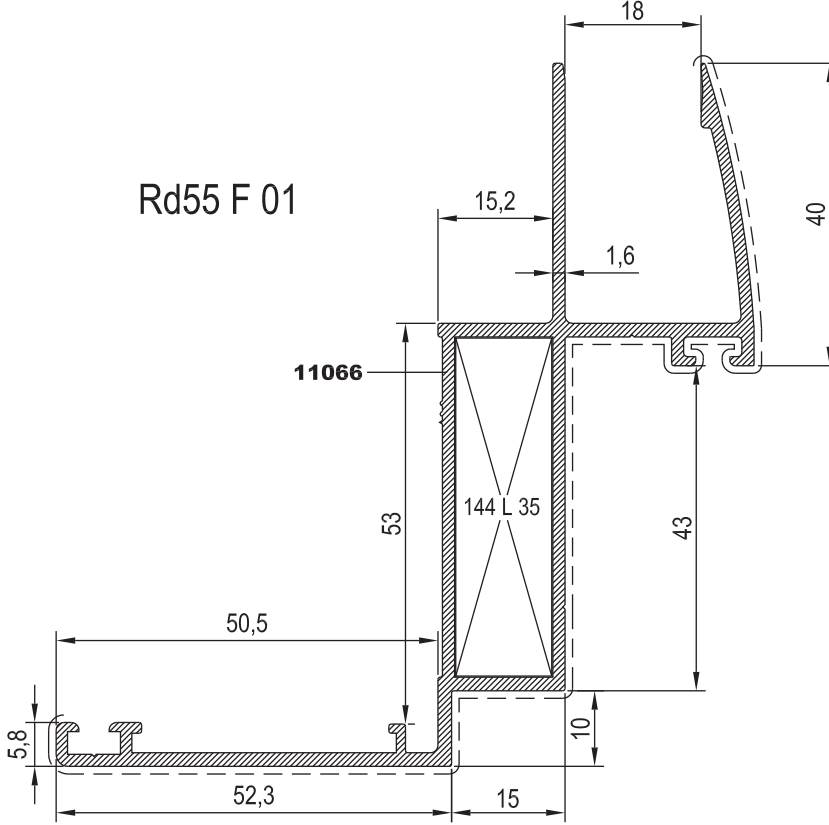
16

17

18

19

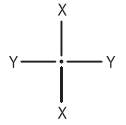
20



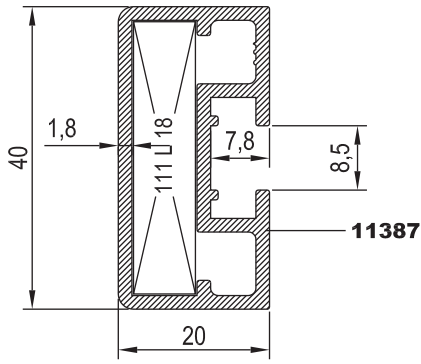
Nr		L m	KESİM ÖLÇÜSÜ CUTTING SIZE	AKS, KODU ACS. CODE
Rd55 F 01	11066	25 L 35 (10076)	44,4 mm	144 L 35
Rd55 F 02	11067	25 L 35 (10076)	51,4 mm	230 L 35



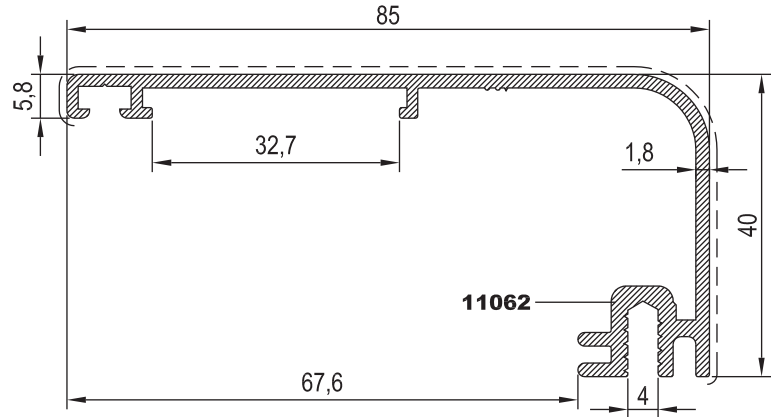
KOD / CODE	AĞIRLIK (kg/m) / WEIGHT	Jxx cm4	Jyy cm4	L m
Rd55 V 02	0,688	1,267	4,539	6
Rd55 A 01	0,860	---	---	6
Rd55 A 02	0,977	---	---	6



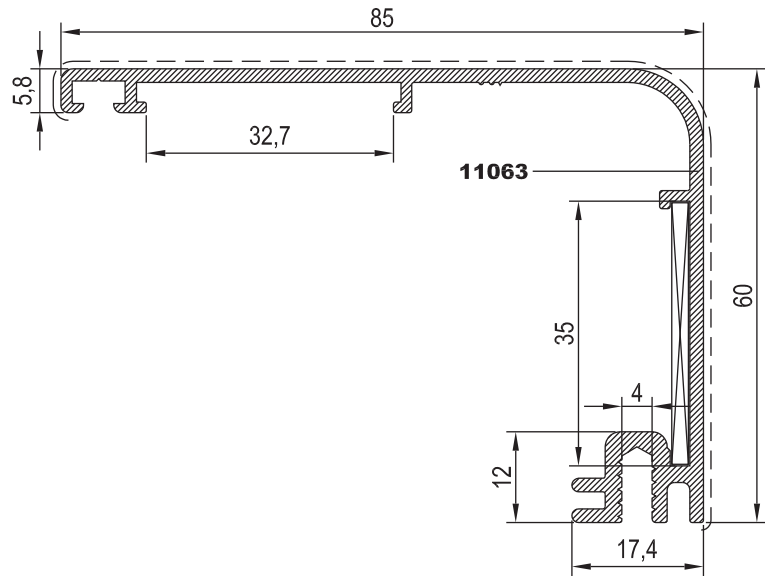
Rd55 V 02



Rd55 A 01



Rd55 A 02



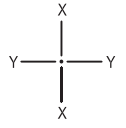
Nr

KESİM ÖLÇÜSÜ  
CUTTING SIZEAKS. KODU  
ACS. CODE

Rd55 V 02	11387	25 L 18 (2164)	35,9 mm	111 L 18
Rd55 A 02	11063	25 L 71 (11071)	34,6 mm	250 L 71



KOD / CODE	AĞIRLIK (kg/m) / WEIGHT	Jxx cm <sup>4</sup>	Jyy cm <sup>4</sup>	L m
Rd55 A 03	1,154	---	---	6
Rd55 A 04	1,376	---	---	6
Rd55 A 05	0,770	---	---	6



11

12

13

14

15

16

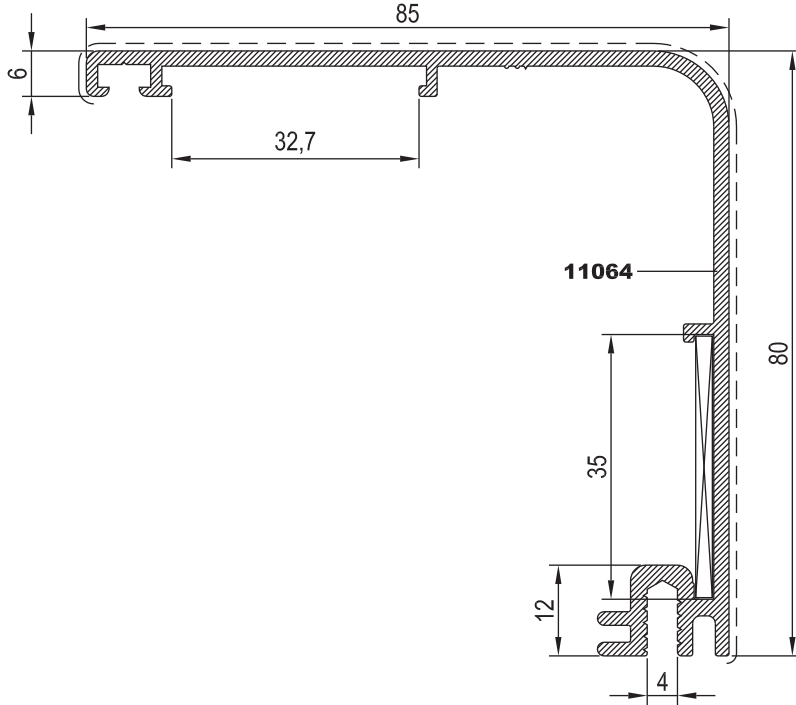
17

18

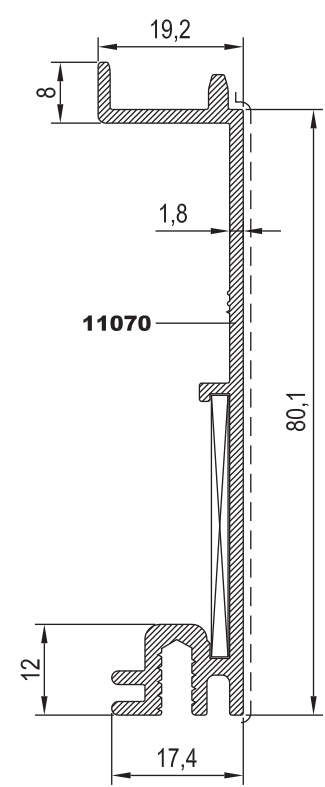
19

20

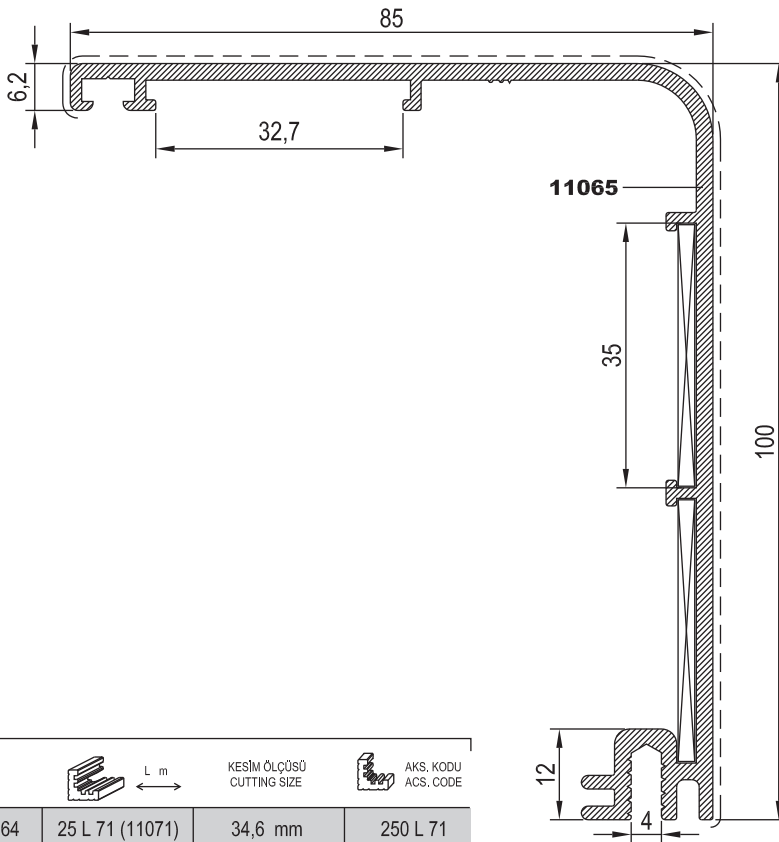
Rd55 A 03



Rd55 A 05



Rd55 A 04



Nr

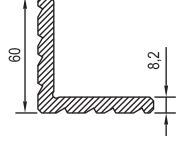
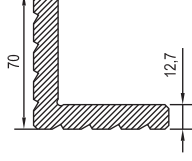
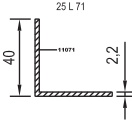
KESİM ÖLÇÜSÜ  
CUTTING SIZEAKS. KODU  
ACS. CODE

Rd55 A 03	11064	25 L 71 (11071)	34,6 mm	250 L 71
Rd55 A 04	11065	25 L 71 (11071)	34,6 mm	250 L 71
Rd55 A 05	11070	25 L 71 (11071)	34,6 mm	250 L 71



11

## TAKOZLAR (CLEATS)


PROFİL KODU (PROFILE CODE)	25 L 18	25 L 35	25 L 71	
FABRİKA KODU (FACTORY CODE)	2164	10076	11071	
AĞIRLIK (WEIGHT)	2,323 kg/m	4,192 kg/m	0,464 kg/m	
ÇİZİM (DRAWING)				

12

13

14

## KÖŞE TAKOZLARI (CORNER CLEATS)

Nr	 L m	KESİM ÖLÇÜSÜ CUTTING SIZE	AKS. KODU ACS. CODE	
Rd55 F 01	11066	25 L 35 (10076)	44,4 mm	144 L 35
Rd55 F 02	11067	25 L 35 (10076)	51,4 mm	230 L 35
Rd55 V 02	11387	25 L 18 (2164)	35,9 mm	111 L 18
Rd55 A 02	11063	25 L 71 (11071)	34,6 mm	250 L 71
Rd55 A 03	11064	25 L 71 (11071)	34,6 mm	250 L 71
Rd55 A 04	11065	25 L 71 (11071)	34,6 mm	250 L 71
Rd55 A 05	11070	25 L 71 (11071)	34,6 mm	250 L 71

15

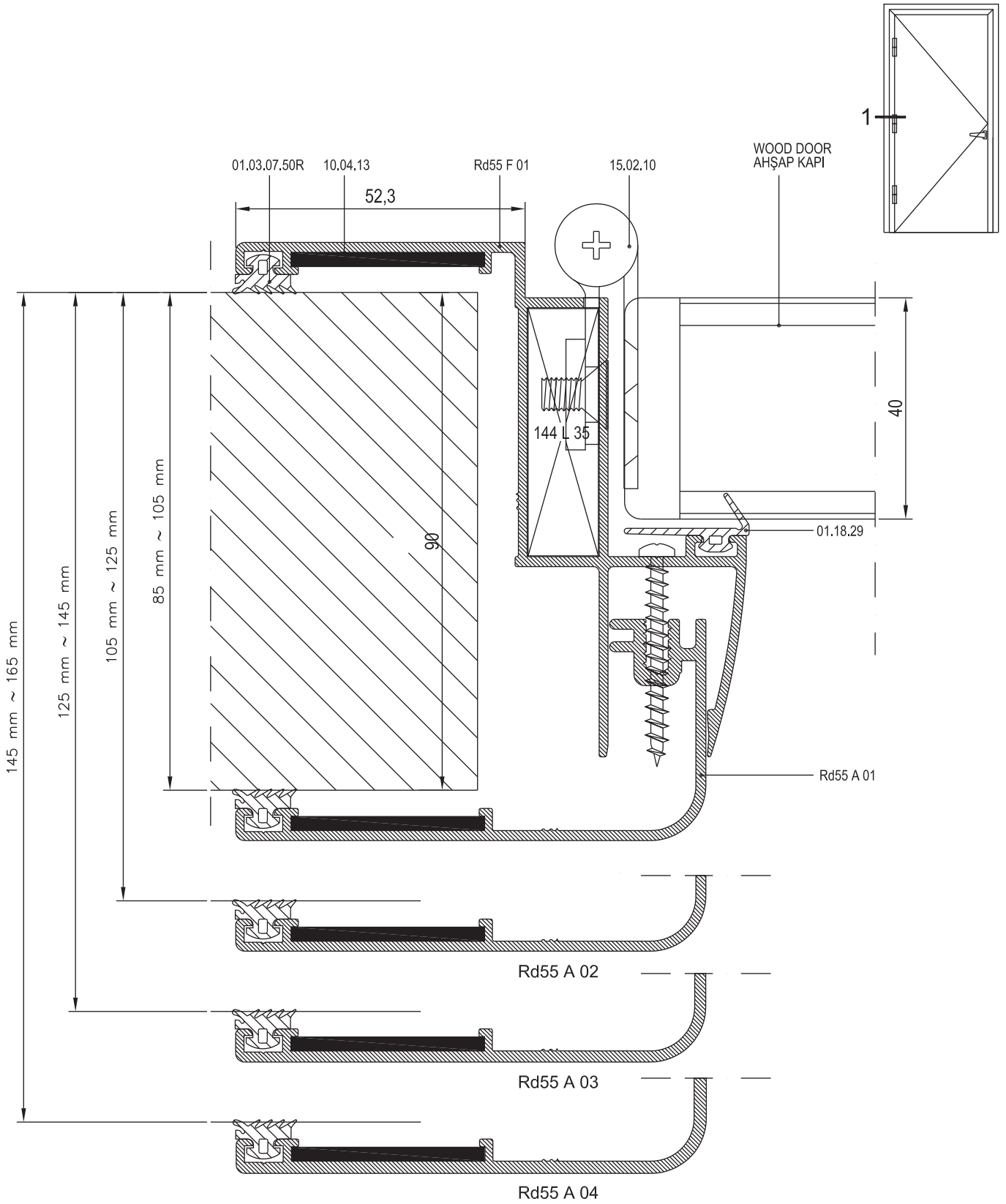
16

17

18

19

20

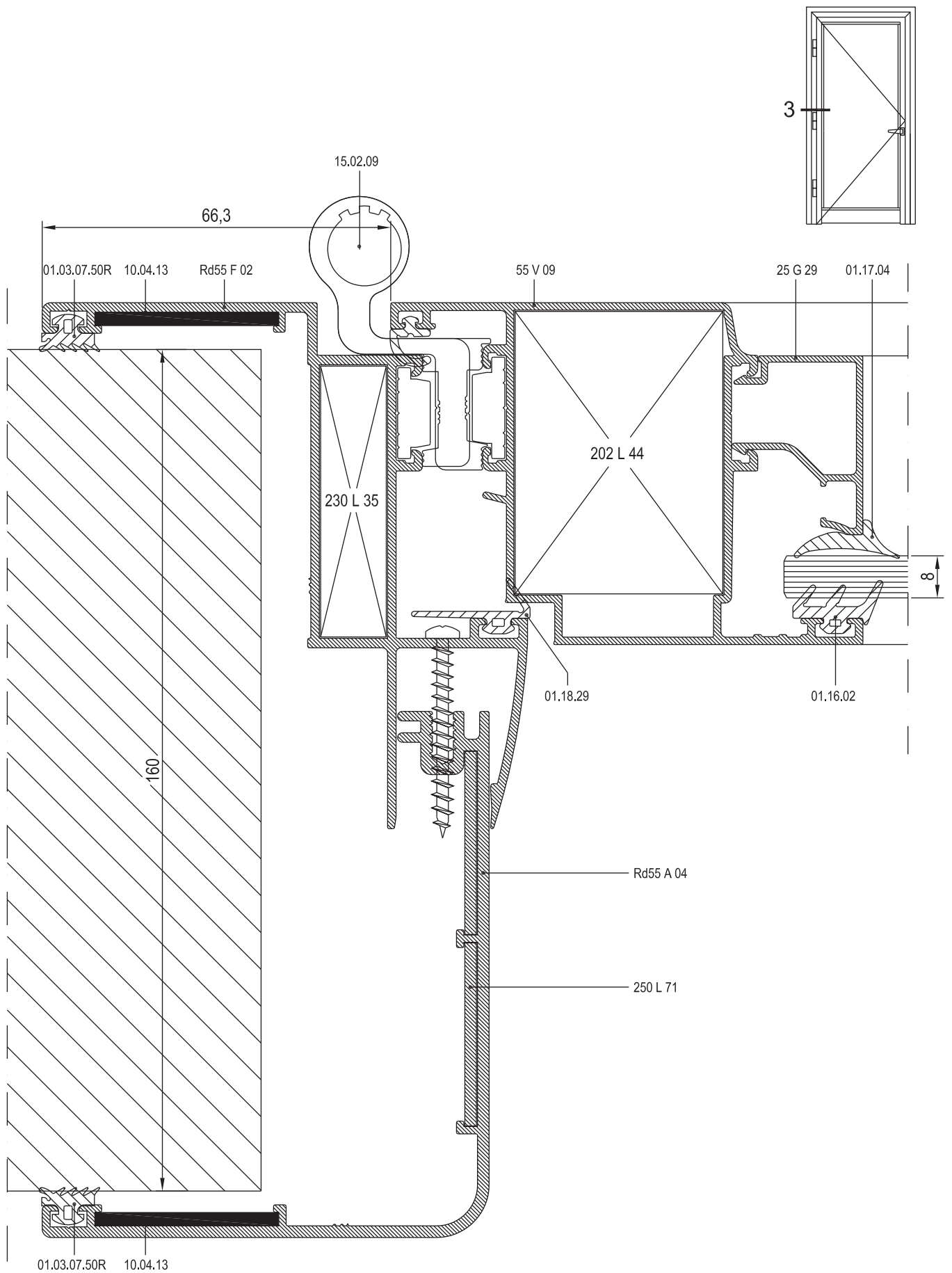


DUVAR KALINLIĞI	KASA PROFILI	PERVAZ PROFILI	PERVAZ ADAPTÖRÜ
85 - 105 mm.	Rd55 F 01/02	+ Rd55 A 01	+ —
105 - 125 mm.	Rd55 F 01/02	+ Rd55 A 02	+ —
125 - 145 mm.	Rd55 F 01/02	+ Rd55 A 03	+ —
145 - 165 mm.	Rd55 F 01/02	+ Rd55 A 04	+ —

DUVAR KALINLIĞI	KASA PROFILI	PERVAZ PROFILI	PERVAZ ADAPTÖRÜ
165 - 185 mm.	Rd55 F 01/02	+ Rd55 A 01	+ Rd55 A 05
185 - 205 mm.	Rd55 F 01/02	+ Rd55 A 02	+ Rd55 A 05
205 - 225 mm.	Rd55 F 01/02	+ Rd55 A 03	+ Rd55 A 05
225 - 245 mm.	Rd55 F 01/02	+ Rd55 A 04	+ Rd55 A 05







11

12

13

14

15

16

17

18

19

20



11

12

13

14

15

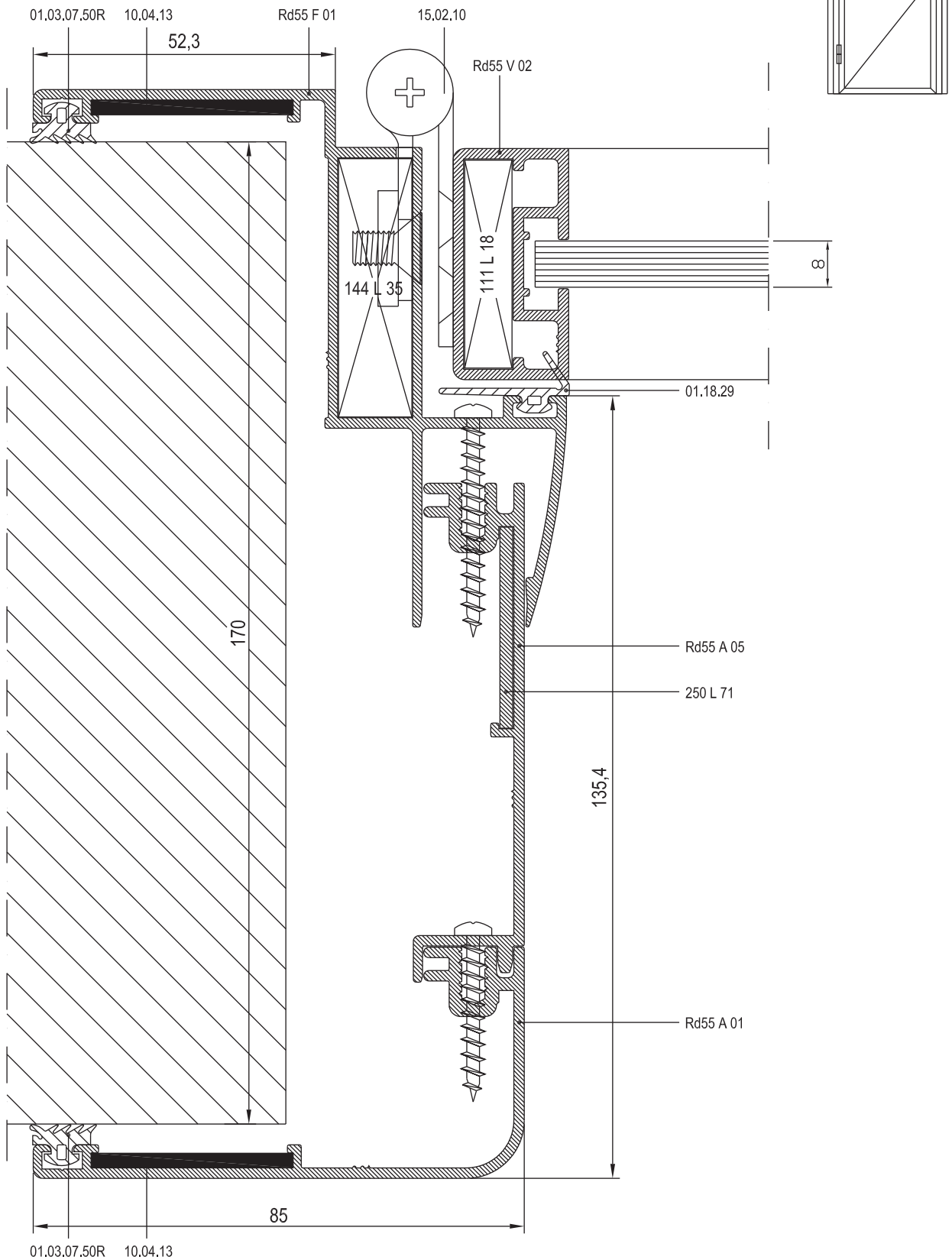
16

17


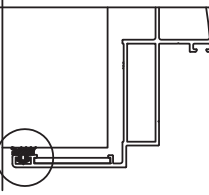

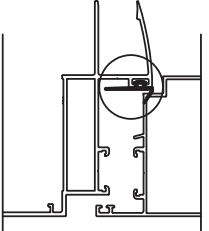
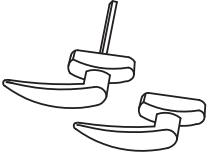
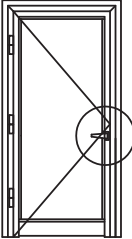
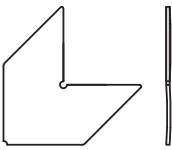
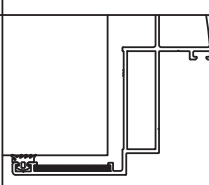
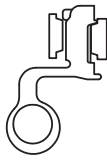
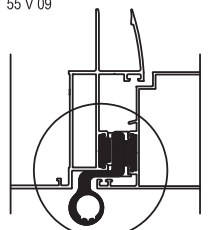
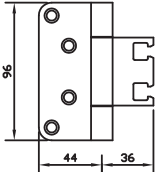
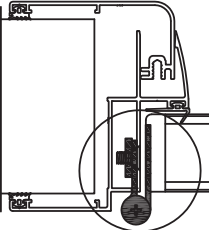
18

19

20





	<p><b>01.03.07.50R</b> BİNİ FITİLİ GASKET EPDM 65 gr/m</p>				
	<p><b>01.18.29</b> BİNİ FITİLİ ACOUSTICALGASKET EPDM 60 gr/m</p>				
	<p><b>07.14.04</b> KAPI KOLU DOOR HANDLE SİYAH - BEYAZ - GRİ BLACK - WHITE - GREY</p>				
	<p><b>10.04.13</b> KÖŞE ÇAVUŞU CORNER PIECE PASLANMAZ ÇELİK STAINLESS STEEL</p>				
	<p><b>15.02.09</b> KAPI MENTEŞESİ DOOR HINGE SİYAH-BEYAZ-GRİ-ELOKSAL BLACK-WHITE-GREY-ANODISED</p>	<p>55 V 09</p> 			
	<p><b>15.02.10</b> KAPI MENTEŞESİ DOOR HINGE SİYAH-BEYAZ-GRİ-ELOKSAL BLACK-WHITE-GREY-ANODISED</p>				

11

12

13

14

15

16

17

18

19

20

# RESCARA SİSTEM

## RESCARA SYSTEM

Aluminyum Kapı Pencere ve Giydirme Cephe Sistemleri  
Aluminium Window Doors and Facade Systems

11



12

13

14

15

16

17

18

19

20